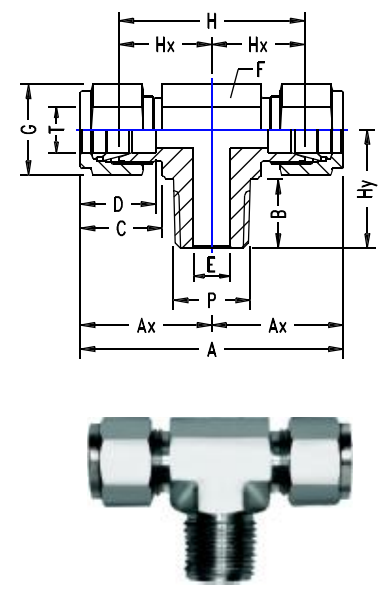


## MALE BRANCH TEE

### INCH OD Tubes x Male NPT Threads

T Tube OD	P NPT Male	A	Ax	B	C	D	E min.	F	G A/F	H A/F	Hx	Hy	TU-LOK Part No.
1/8	1/8	47.2	23.6	9.6	15.3	12.7	2.4	11	11	34.0	17.0	17.8	2 STBM-N
1/8	1/4	49.2	24.6	14.3	15.3	12.7	2.4	14	11	36.0	18.0	23.4	2-4 STBM-N
1/4	1/8	53.8	26.9	9.6	17.8	5.3	4.8	14	14	39.2	19.6	18.8	4-2 STBM-N
1/4	1/4	53.8	26.9	14.3	17.8	5.3	4.8	14	14	39.2	19.6	23.4	4 STBM-N
1/4	3/8	59.4	29.7	14.3	17.8	5.3	4.8	19	14	44.8	22.4	26.2	4-6 STBM-N
1/4	1/2	63.6	31.8	19.1	17.8	5.3	4.8	22	14	44.8	24.4	33.0	4-8 STBM-N
3/8	1/4	61.0	30.5	14.3	19.3	16.8	7.1	17	17	46.2	23.1	25.4	6-4 STBM-N
3/8	3/8	62.4	31.2	14.3	19.3	16.8	7.1	19	17	47.8	23.9	26.2	6 STBM-N
3/8	1/2	66.0	33.0	19.1	19.3	16.8	7.1	22	17	51.8	25.9	33.0	6-8 STBM-N
1/2	1/4	72.0	36.0	14.3	21.8	22.9	4.8	22	22	51.8	25.9	28.2	8-4 STBM-N
1/2	3/8	72.0	36.0	14.3	21.8	22.9	9.6	22	22	51.8	25.9	28.2	8-6 STBM-N
1/2	1/2	72.0	36.0	19.1	21.8	22.9	10.4	22	22	51.8	25.9	33.0	8 STBM-N
5/8	1/2	76.2	38.1	19.1	21.8	24.4	11.9	22	25	55.8	27.9	35.0	10-8 STBM-N
3/4	1/2	79.8	39.9	19.1	21.8	24.4	11.9	27	29	59.4	29.7	36.8	12-8 STBM-N
3/4	3/4	79.8	39.9	19.1	21.8	24.4	15.8	27	29	59.4	29.7	36.8	12 STBM-N
1	3/4	98.0	49.0	19.1	26.4	31	15.8	35	38	73.6	36.8	41.6	16-12 STBM-N
1	1	98.0	49.0	23.8	26.4	31	22.3	35	38	73.6	36.8	46.5	16 STBM-N
1.1/4	1.1/4	133.0	66.5	23.8	38.8	41.1	27.6	46	50	89.0	44.5	47.6	20 STBM-N
1.1/2	1.1/2	156.0	78.0	26.2	45.2	50.0	34.0	55	57	101.6	50.8	60.4	24 STBM-N



### METRIC OD Tubes x Male NPT Threads

T Tube OD	P NPT Male	A	Ax	B	C	D	E min.	F	G A/F	H A/F	Hx	Hy	TU-LOK Part No.
3	1/8	47.2	23.6	9.6	15.3	12.9	2.4	11	11	34.0	17.0	17.8	STBM 3-2N
3	1/4	49.2	24.6	14.3	15.3	12.9	2.4	14	11	36.0	18.0	23.4	STBM 3-4N
6	1/8	54.0	27.0	9.6	17.7	15.3	4.8	14	14	39.2	19.6	18.8	STBM 6-2N
6	1/4	54.0	27.0	14.3	17.7	15.3	4.8	14	14	39.2	19.6	23.4	STBM 6-4N
6	3/8	59.6	29.8	14.3	17.7	15.3	4.8	19	14	44.8	22.4	26.2	STBM 6-N
8	1/4	57.6	28.8	14.3	18.6	16.2	6.3	14	16	42.6	21.3	24.4	STBM 8-4N
8	3/8	61.2	30.6	14.3	18.6	16.2	6.3	19	16	46.2	23.1	26.2	STBM 8-6N
8	1/2	65.2	32.6	19.1	18.6	16.2	6.3	22	16	50.2	25.1	33.0	STBM 8-N
10	1/4	63.0	31.5	14.3	19.5	17.2	7.1	17	19	47.8	23.9	26.2	STBM 10-4N
10	3/8	63.0	31.5	14.3	19.5	17.2	7.9	19	19	47.8	23.9	26.2	STBM 10-6N
10	1/2	67.0	33.5	19.1	19.5	17.2	7.9	22	19	51.8	25.9	33.0	STBM 10-8N
12	1/4	72.0	36.0	14.3	22.0	22.8	7.1	22	22	51.8	25.9	26.2	STBM 12-4N
12	3/8	72.0	36.0	14.3	22.0	22.8	9.5	22	22	51.8	25.9	28.2	STBM 12-6N
12	1/2	72.0	36.0	19.1	22.0	22.8	9.5	22	22	51.8	25.9	33.0	STBM 12-8N
16	1/2	76.0	38.0	19.1	22.0	24	11.9	24	25	55.8	27.9	35.1	STBM 16-8N
25	3/4	98.2	49.1	19.1	26.5	31.3	15.8	35	38	73.6	36.8	41.7	STBM 25-12N
25	1	98.2	49.1	23.8	26.5	31.3	21.8	35	38	73.6	36.8	46.5	STBM 25-16N
30	1.1/4	139.8	66.9	23.8	39.2	39.6	26.2	45	50	96.6	48.3	53.1	STBM 30-20N
32	1.1/4	144.6	72.3	23.8	41.6	42.0	27.6	45	50	98.6	49.3	53.1	STBM 32-20N
38	1.1/2	168.0	84.0	26.2	47.9	50.0	33.7	55	57	112.8	56.4	60.4	STBM 38-24N

**NOTE:** The combination of tube OD and male threads are indicative of popular sizes. Other combinations, not shown, are available. Please Consult us.